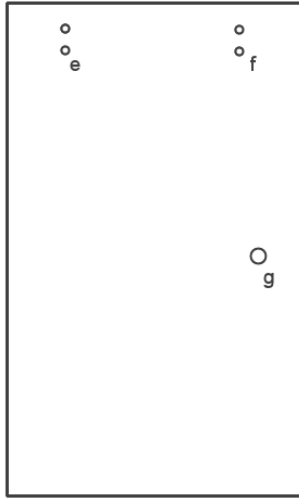


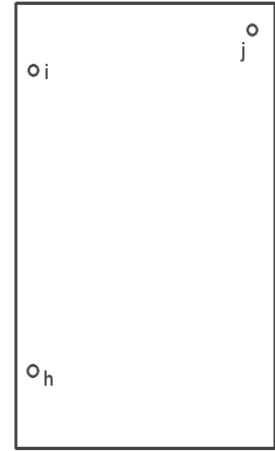
Sliding / Roller Door Shower Screen Installation Instruction



Panel RB
(Fixed Support Panel)



Panel RA
(Door)



Panel RC
(Return panel - For square/rectangular shape only)

Fixed Support Panel sit next to the Door Panel, to support the door.

Door Panel

Return Panel - Only use in Rectrangular Shape

Size of Panel Available

400	500	550	600	900	1000
600	700	650	700		
800					
400mm RB panel has ONLY hole [c], NO hole [d].					

Shape of Shower Screen	Shower Panel Included	Fitting Included	Top View
Rectangular Shape	RB X 1, RA X 1, RC X 1	SSC-F6137 X 4, SSC-F10A2 X 1, SSC-F08B X 1, SSC-F19B2 X 1, SSC-F19B4 X 1, SSC-FP[SIZE] X1 , SSC-F01A X 2, SSC-F11A6 X 2, SSC-F05A X 2 or 3 or 4 (Depends on size of RB)	
Wall to Wall 3pc	RB X 2, RA X 1	SSC-F6137 X 4, SSC-F10A2 X 1, SSC-F08B X 1, SSC-F19B2 X 2, SSC-FP[SIZE] X1 , SSC-F01A X 2, SSC-F11A6 X 2, SSC-F05A X 2 or 3 or 4 (Depends on size of RB)	
Wall to Wall 2pc	RB X 1, RA X 1	SSC-F6137 X 2, SSC-F10A2 X 1, SSC-F08B X 1, SSC-F19B2 X 2, SSC-FP[SIZE] X1 , SSC-F01A X 2, SSC-F11A6 X 2, SSC-F05A X 1 or 2 (Depends on size of RB)	

Fitting / Bracket					
Photo	Code (Code on package)	Photo	Code (Code on package)	Photo	Code (Code on package)
	SSC-F10A2 (8010A-2) - Floor Door Guide		SSC-F08B (8008B) - Door Handle		
	SSC-F19B4 (8019B-4) Pipe End Support Connect to Glass)		SSC-FP [X or Z] Pipe		SSC-F19B2 (8019B-2) Pipe End Support Connect to Wall
 SSC-F6137 (6137) Glass Panel Wall Bracket			SSC-F11A6 (8011A-6) Door Stopper		SSC-F05A (8005A) Pipe Support on Glass
		SSC-F01A (8001A) Door Roller - One of Each			
Roller A	Roller B				

Before Installation

1. Measure and mark all drill hole positions on the tile wall and floor.
2. Make sure all the distances are correct before drill them on the tiled wall or floor. After drilled adjustment is limited.
3. Leveler is required for installation.
4. Determine shape of shower screen, fitting contents.
5. The drill hole for SSC-F6137 (wall bracket), is 30mm from INSIDE of the glass panel RB. (See fitting photo for detail)
6. We recommend wall bracket & pipe secure on brick, concrete, stud or timber frame.

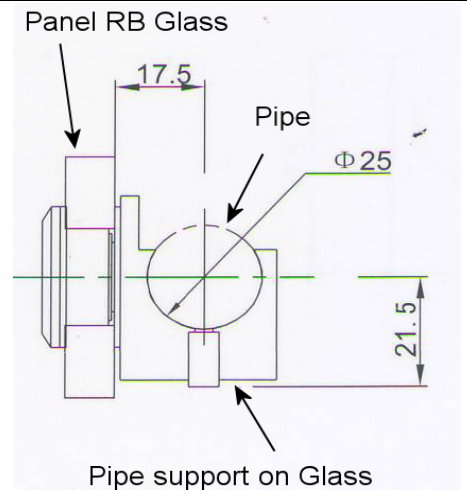
Installation

^ Panel RC - Secure panel RC to wall using SSC-F6137 on hole [i] & [h]. This is for rectangular shape only, skip to next step for wall to wall shape.

^ Panel RB – According to the size of your wall to wall shower screen, you may have ONE or TWO RB panel (i.e. below 1400mm: one RB panel, from 1400mm up: two RB panels), and one RB panel for rectangular shape.

Secure RB panel to wall using SSC-F6137 on hole [a] & [b].

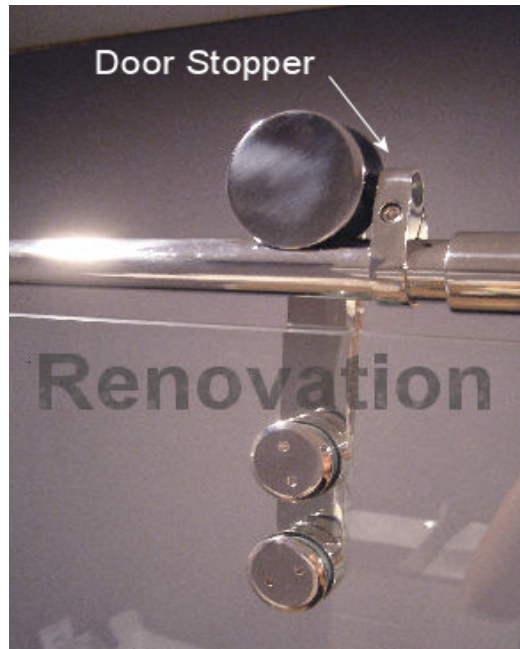
Screw SSC-F05A to RB panel on hole [d] & [c] (if any). See diagram



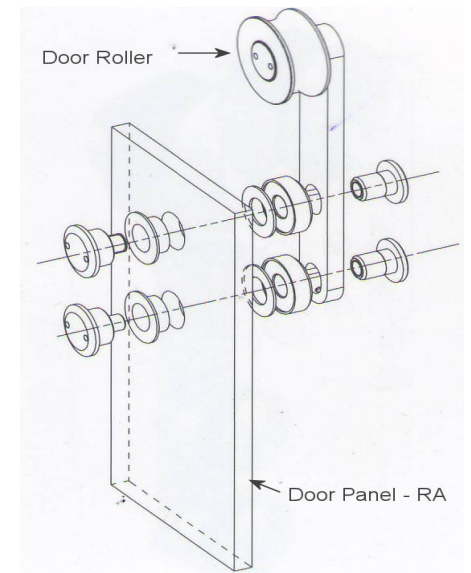
^ Sliding Pipe – Pipe need to cut to the right size. [Z]: wall to wall distance after tiled or [X-10mm]: tiled wall to INSIDE of RC panel distance

#For rectangular shape, Place the pipe SSC-FP on top of SSC-F05A, then secure the pipe to wall using SSC-F19B2, and to RC panel using SSC-F19B4.

#For wall to wall shape, Place the pipe SSC-FP on top of SSC-F05A, then secure the pipe to both walls using TWO SSC-F19B.

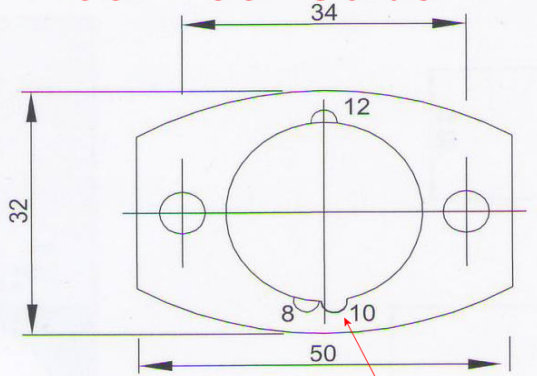


Tips: Use Leveler to make sure the pipe is level, otherwise the door will slide itself. SSC-F05A can be adjusted up and down a little bit. Remember slide TWO Door Stoppers SSC-F11A6 into the pipe before secure the pipe.



^ Screw the SSC-F01A to RA door panel on hole [e] & [f]. (Adjust door roller on hole [e] & [f] to make the door level) See Diagram. Then screw SSC-F08B to RA door panel on hole [g]. - **!!!Attach [Roller B - one with extra knob bit] near the door handle.!!!**

Floor Door Guide



Make sure the Black rubber indicator is in 10mm spot

Hang the RA panel on the pipe between two door stoppers, then slide the door stopper SSC-F11A6 to right position (door fully open and close position) and secure them by tighten the screw. Slide the floor door guide SSC-F10A2 under the door on the floor to stop it swing. Floor door guide normally places inside RB panel (where the overlap of RA panel & RB panel).

We highly recommend to place the floor door guide slightly in an angle (not horizontal) will secure the door more firmly so it won't slide itself even the pipe did not installed perfectly level.

^ Put silicone along the edge between wall / floor and glass panel, and silicone the aluminum strip down under the door.

Warranty does not cover glass.

The safety glass featured in all Shower Screens cannot be cut, trimmed or altered in any way. Shower screen should install by a license installer.