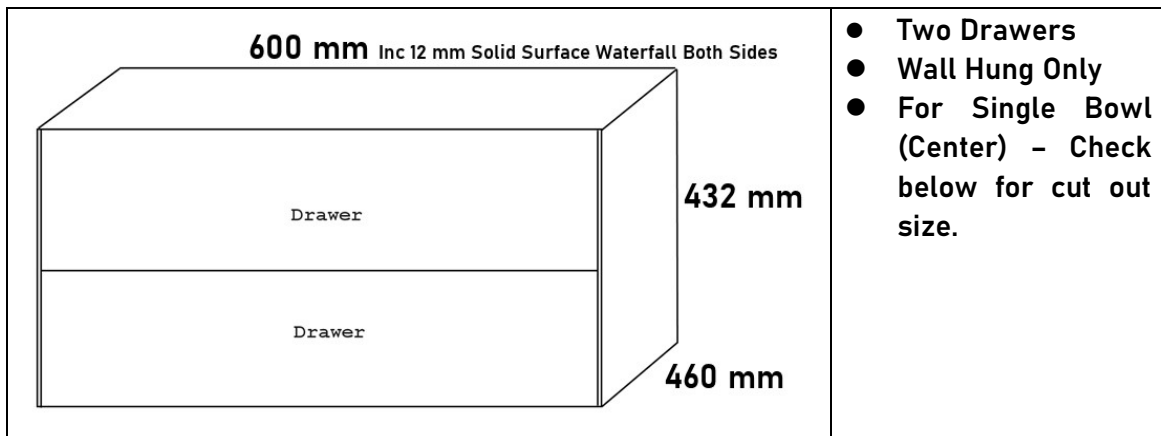


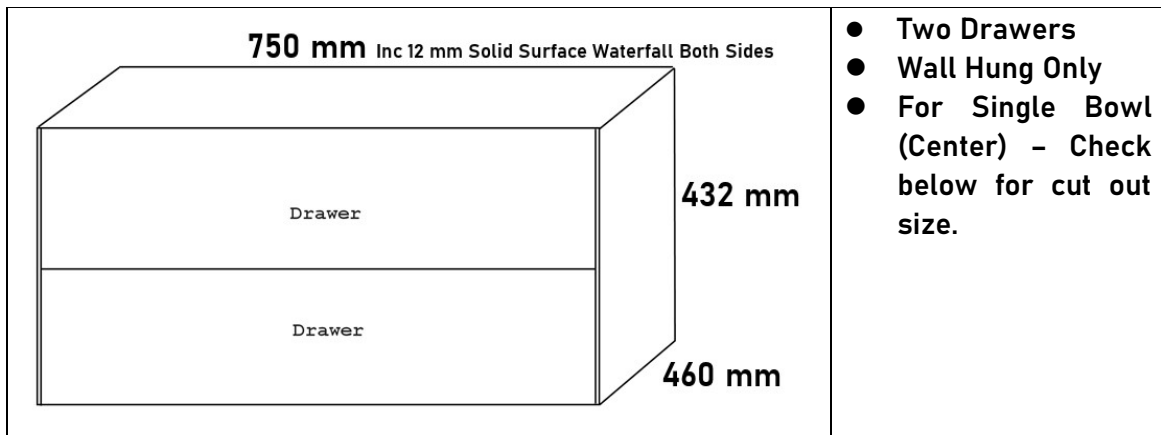
Apprecia Solid Surface Waterfall Cabinet Specification – VAN-APP-XX-SIZE

- Vanity with Solid Surface Benchtop and Waterfall for Above Counter Basin
- Size for **Cabinet & Stone Top/Side** – Only available for Wall Hung.

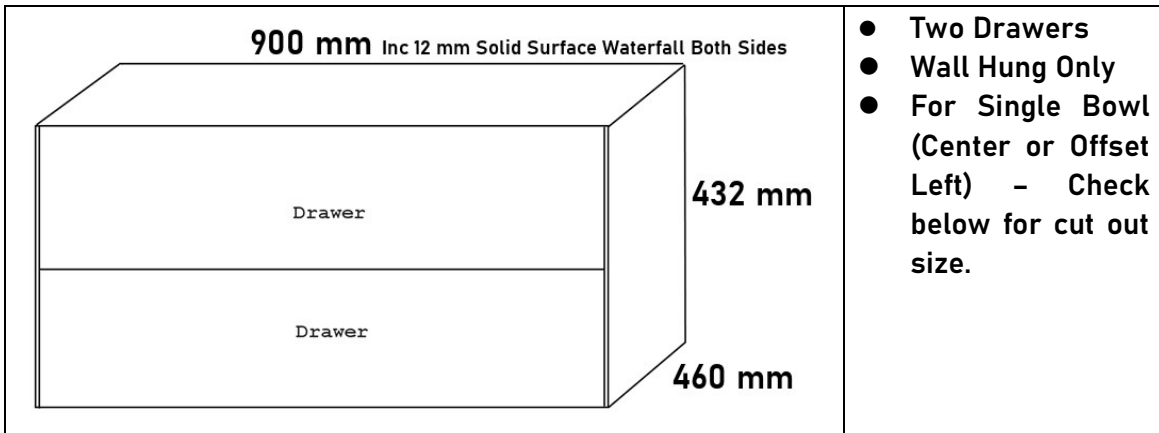
600mm



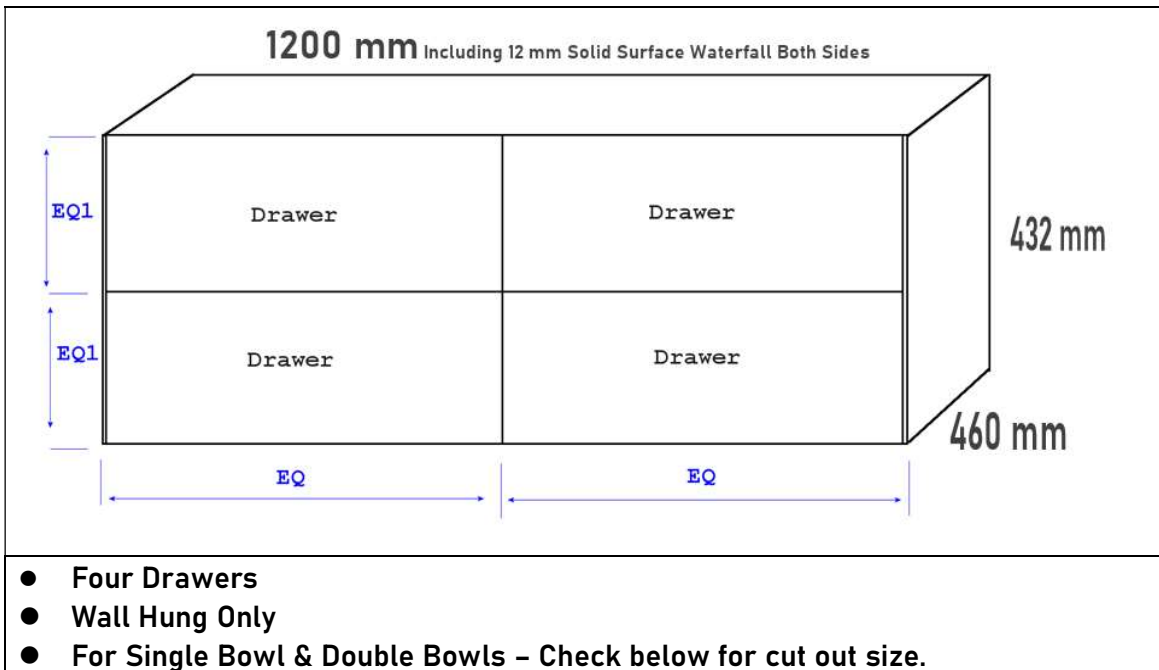
750mm



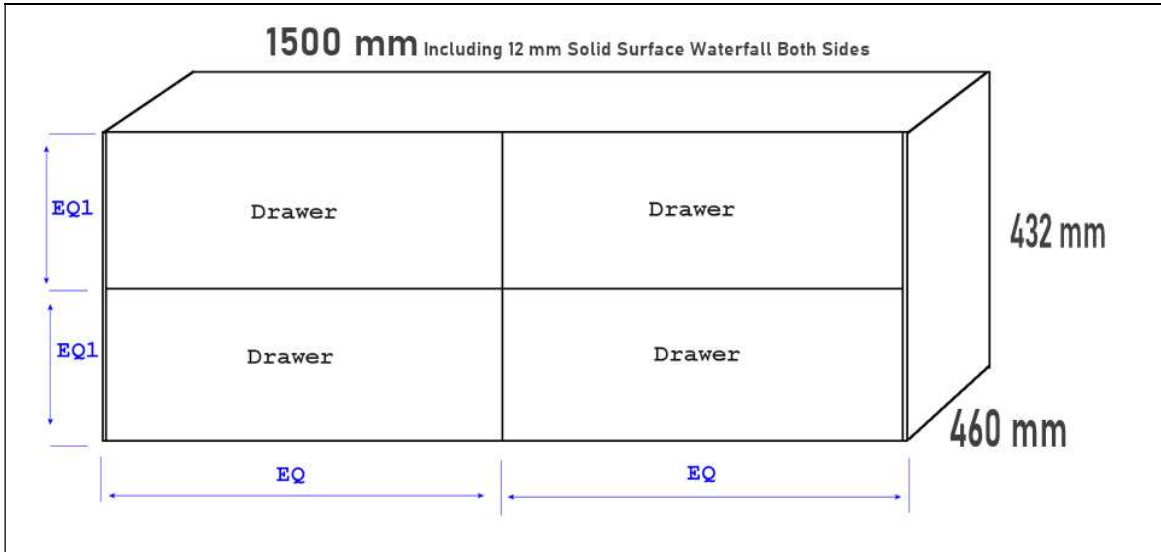
900mm



1200mm

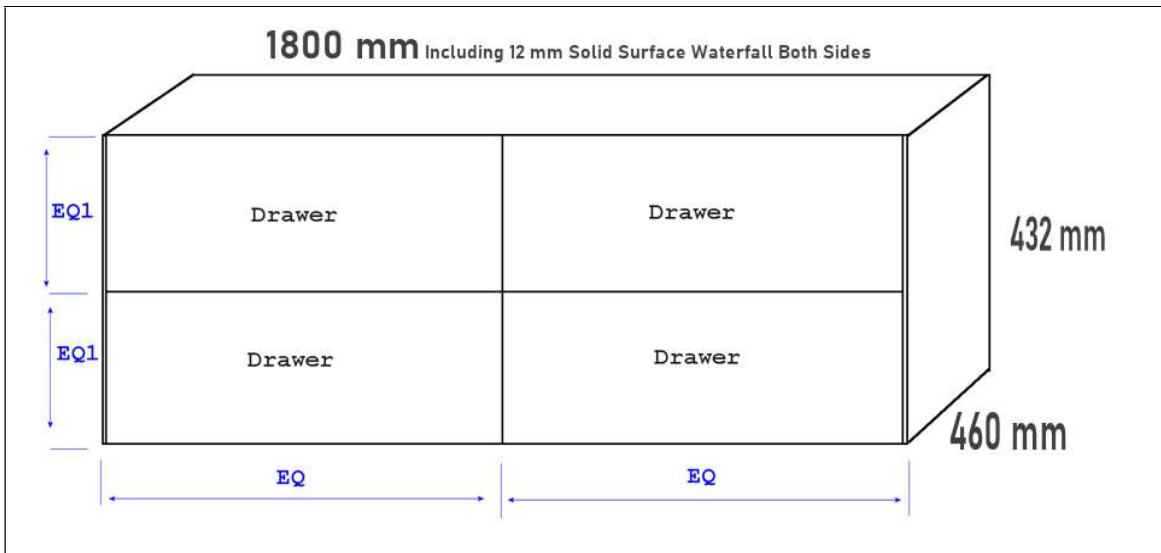


1500mm



- Four Drawers
- Wall Hung Only
- For Single Bowl & Double Bowls – Check below for cut out size.

1800mm



- Four Drawers
- Wall Hung Only
- For Single Bowl & Double Bowls – Check below for cut out size.

Drawer cut out size → Next Page

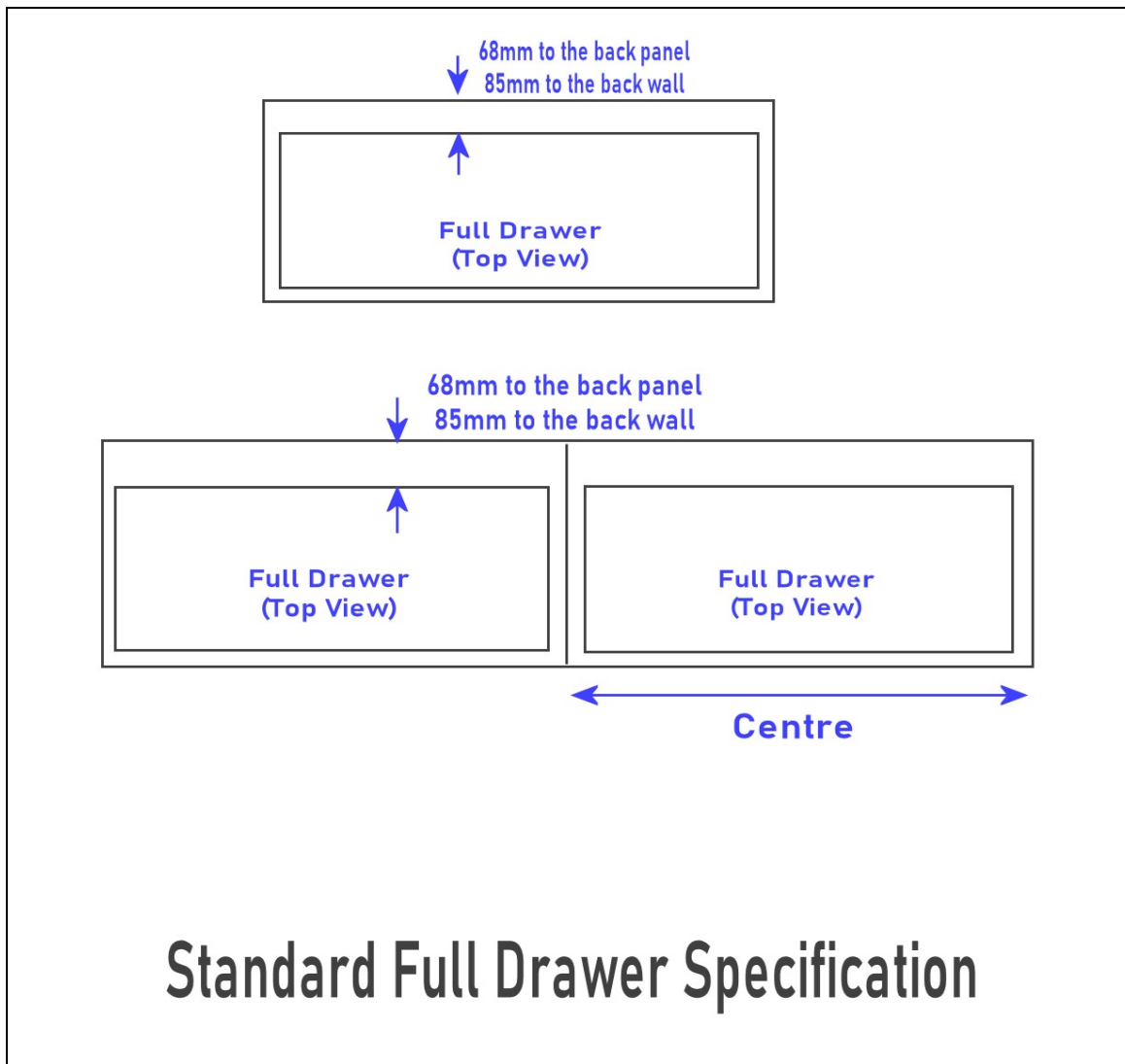
Drawer cut out size

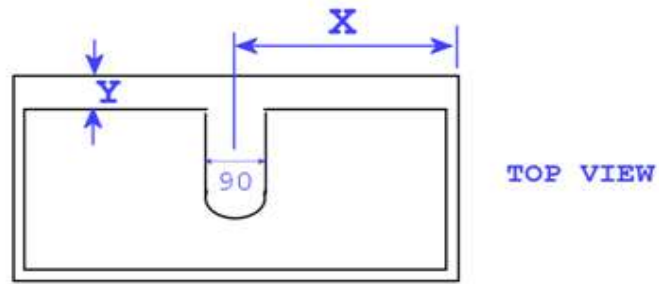
Two Options

1. Full Drawer - Plumbing behind the drawer. Space saver box trap is recommended.



2. U-Cutout Drawer - Plumbing go through the U-Cut of the Drawer



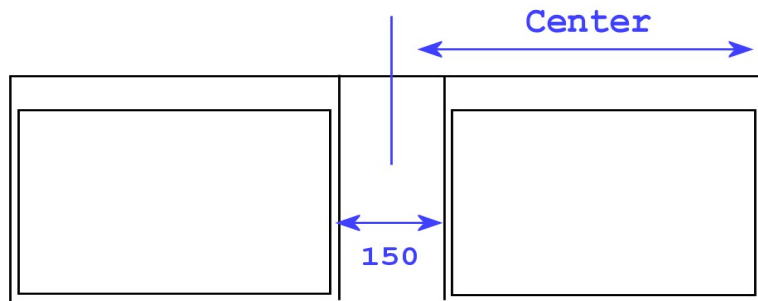


TOP VIEW

Y: 68mm to the back panel | 85mm to the wall

Cabinet Size	X
600mm Single	300mm
750mm Single	375mm
810mm Single	405mm
900mm Single	450mm
1000mm Single	500mm

Standard U-CUTOUT Layout for Center Single Bowl Vanity with Two Drawers



Top View

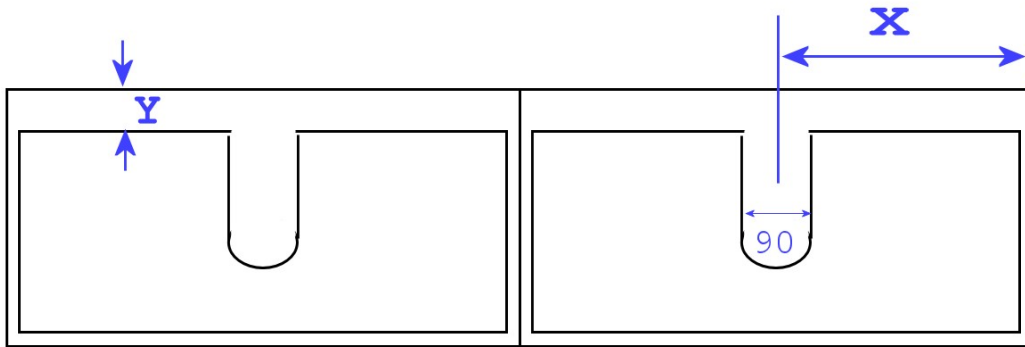
1200mm Single Bowl

1500mm Single Bowl

1800mm Single Bowl

Standard U-CUTOUT Layout for Center Single Bowl Vanity with Two

Drawers



Top View

Y: 68mm to Back Panel / 85mm to Wall

Size	X
1200mm Double Standard	300mm
1500mm Double Standard	410mm
1500mm Double Reversed	370mm
1800mm Double Standard	515mm
1800mm Double Reversed	415mm

Standard U-CUTOUT Layout for Double Bowls Vanity with Four Drawers

*1200mm Double Bowls Only available in Aries Ceramic & Stone Bench with Counter Top Basin.