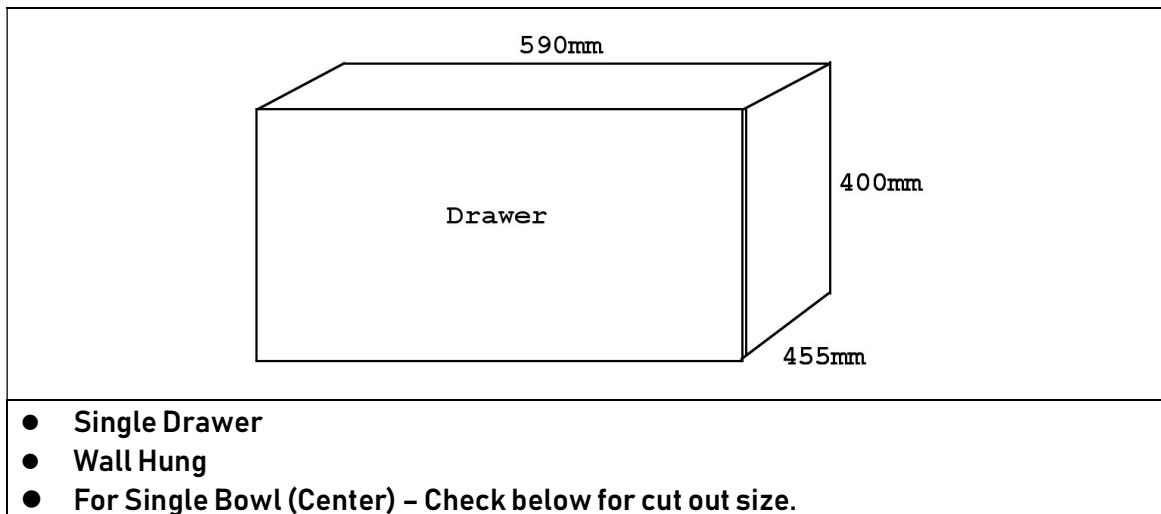


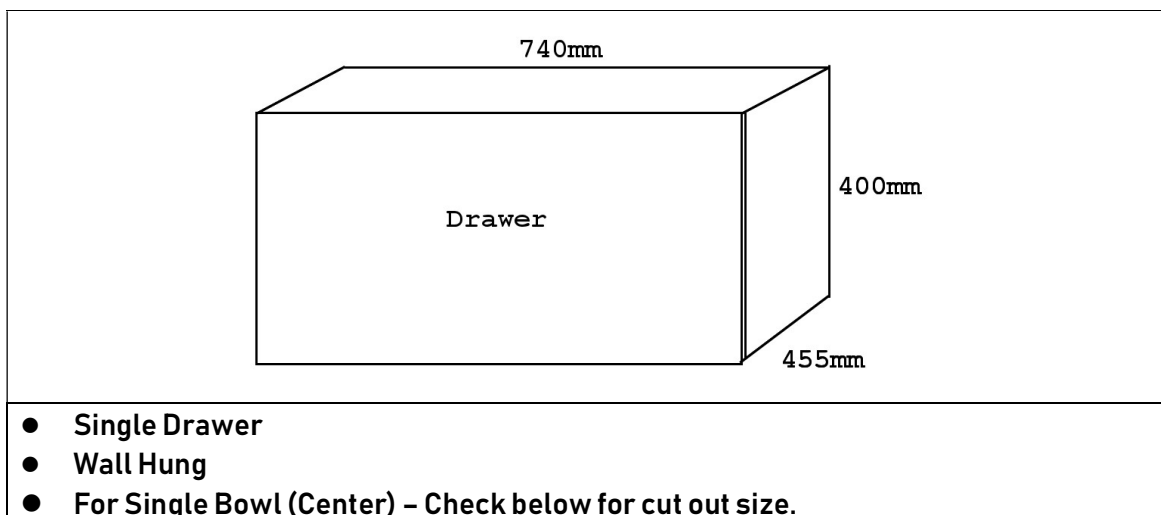
Monaco Cabinet Specification – VAN-MON-XX-SIZE

- Suitable Bench Top
 - Aries Ceramic Basin (AR)
 - Stone & Undermount Basin (SU)
 - Stone for Bench Top Basin (ST)
- Size for Cabinet Only – Monaco only available for Wall Hung.

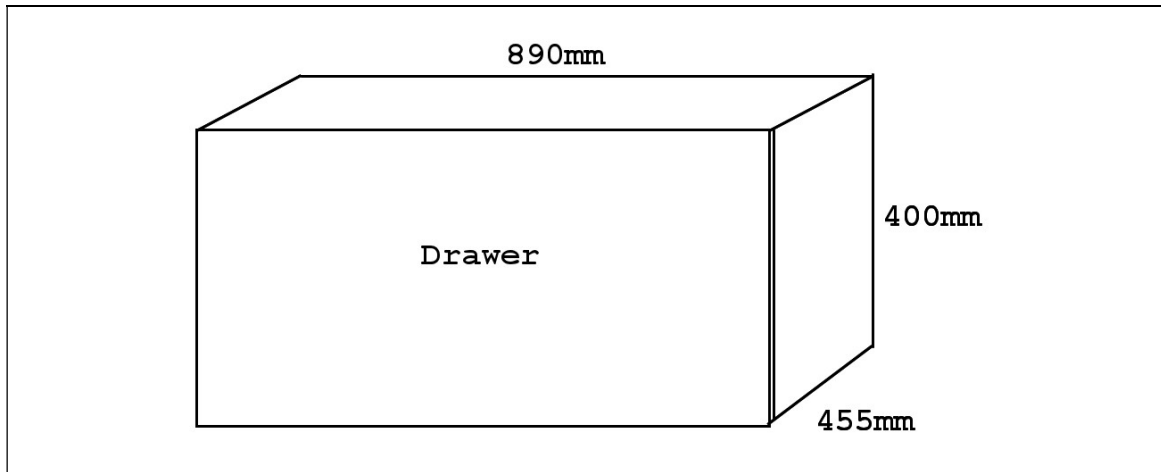
600mm



750mm

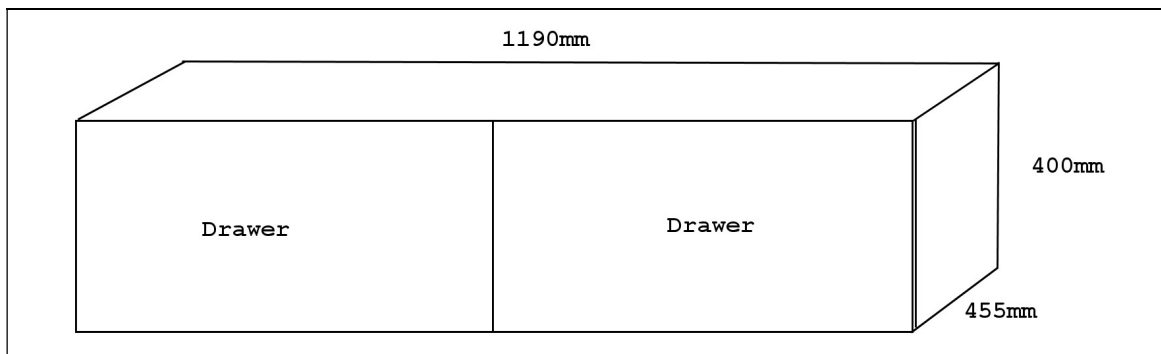


900mm



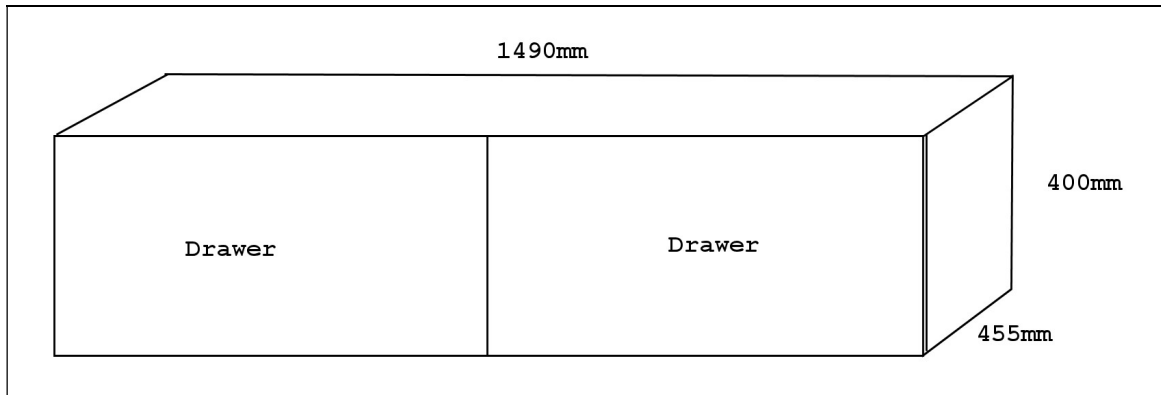
- Single Drawer
- Wall Hung
- For Single Bowl (Center or Offset Left) – Check below for cut out size

1200mm



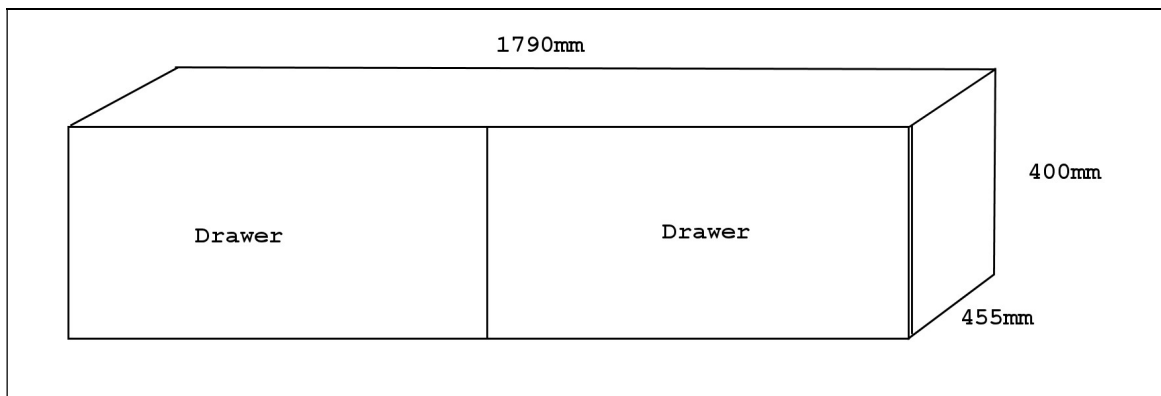
- Two Drawers
- Wall Hung
- For Single Bowl & Double Bowls (Not available in Stone and under mount basin double bowls) – Check below for cut out size.

1500mm



- Two Drawers
- Wall Hung
- For Single Bowl & Double Bowls - Check below for cut out size.

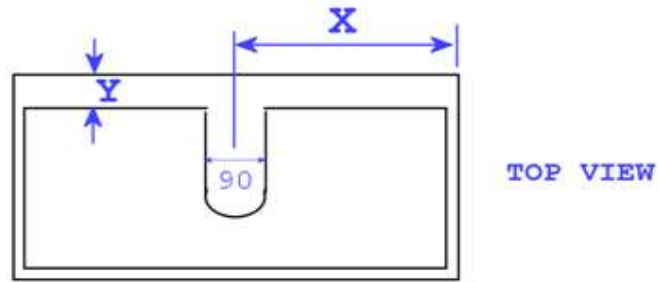
1800mm



- Two Drawers
- Wall Hung
- For Single Bowl & Double Bowls - Check below for cut out size.

Drawer cut out size → Next Page

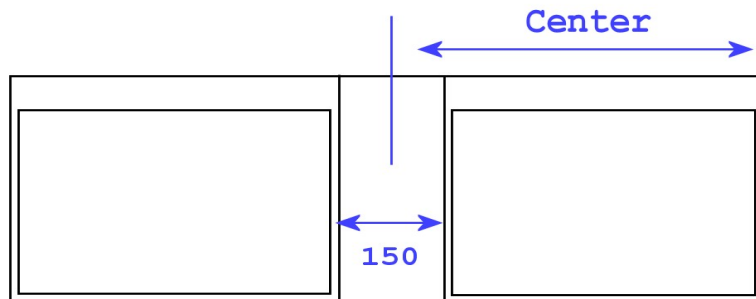
Drawer cut out size



Y: 68mm to the back panel | 85mm to the wall

Cabinet Size	X
600mm Single	300mm
750mm Single	375mm
810mm Single	405mm
900mm Single	450mm
1000mm Single	500mm

Standard Layout for Center Single Bowl Vanity with Single Drawer



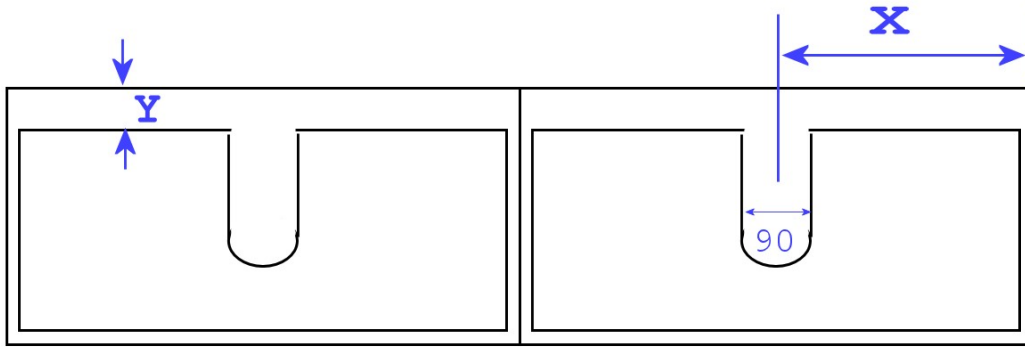
Top View

1200mm Single Bowl

1500mm Single Bowl

1800mm Single Bowl

Standard Layout for Center Single Bowl Vanity with Two Drawers



Top View

Y: 68mm to Back Panel / 85mm to Wall

Size	X
1200mm Double Standard	300mm
1500mm Double Standard	410mm
1500mm Double Reversed	370mm
1800mm Double Standard	515mm
1800mm Double Reversed	415mm

Standard Layout for Double Bowls Vanity with Two Drawers

*1200mm Double Bowls Only available in Aries Ceramic & Stone Bench with Counter Top Basin.