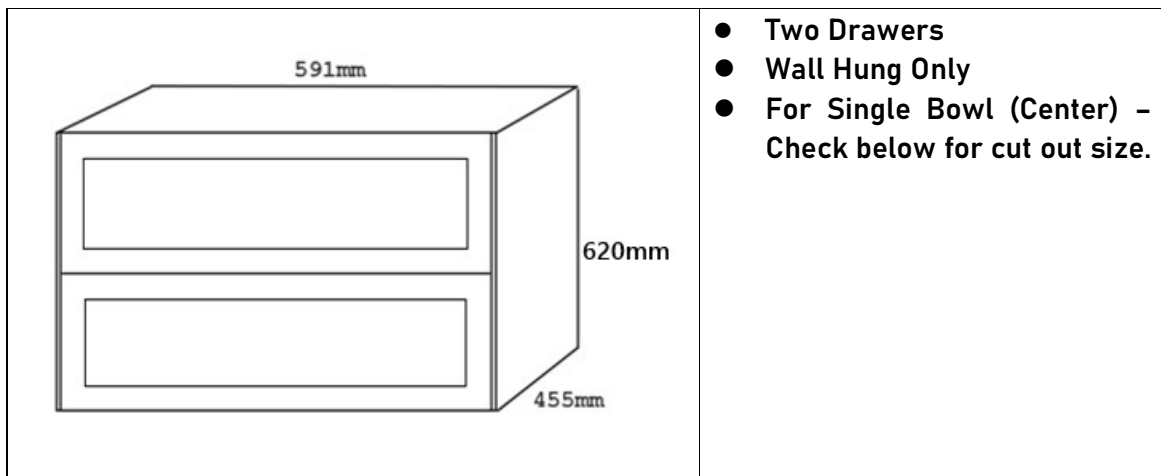


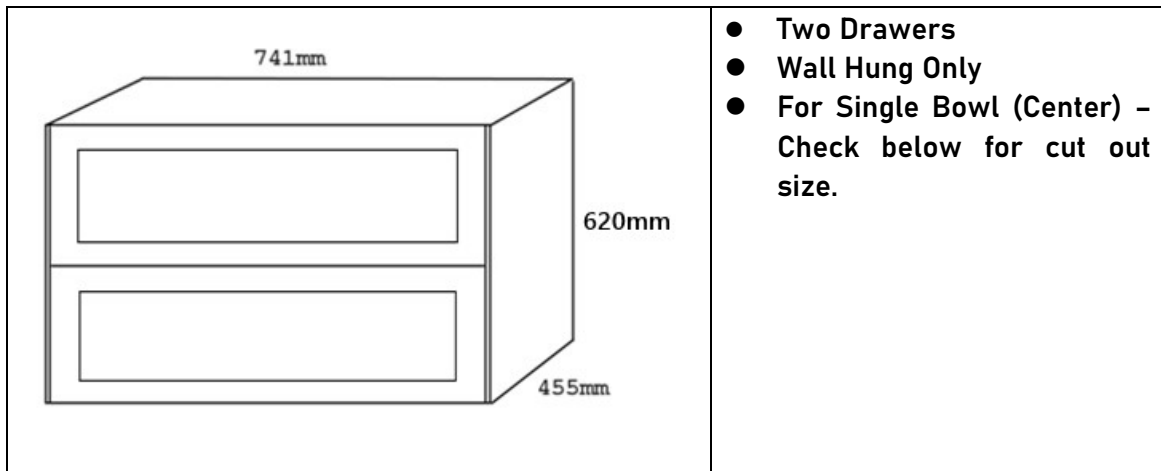
OXFORD TALL Cabinet Specification – VAN-OXFORD-TALL-XX-SIZE

- Suitable Bench Top
 - Stone for Bench Top Basin (ST) / Ceramic Basin Top (AR)
- Size for Cabinet Only – Oxford All Drawer Tall available for Wall Hung, Freestanding on Leg or Kickboard.

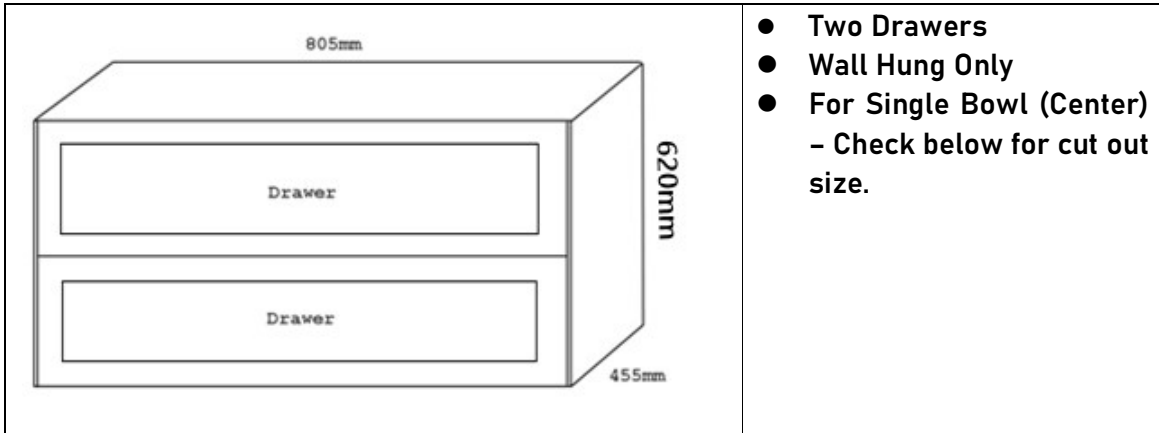
600mm



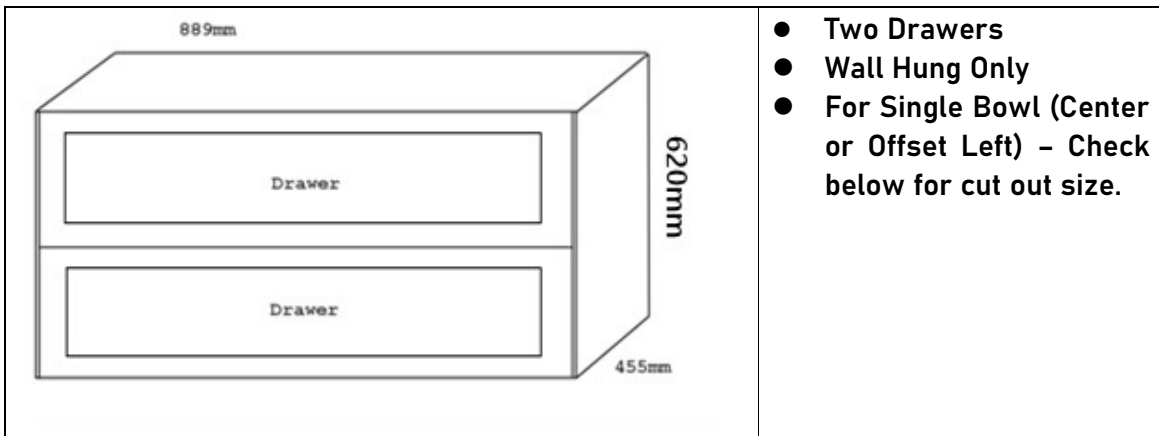
750mm



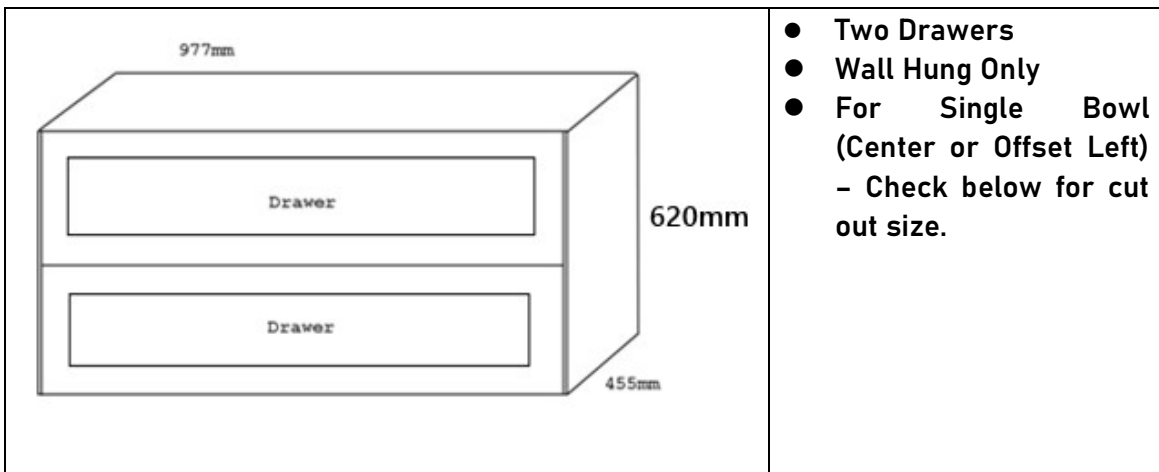
810mm



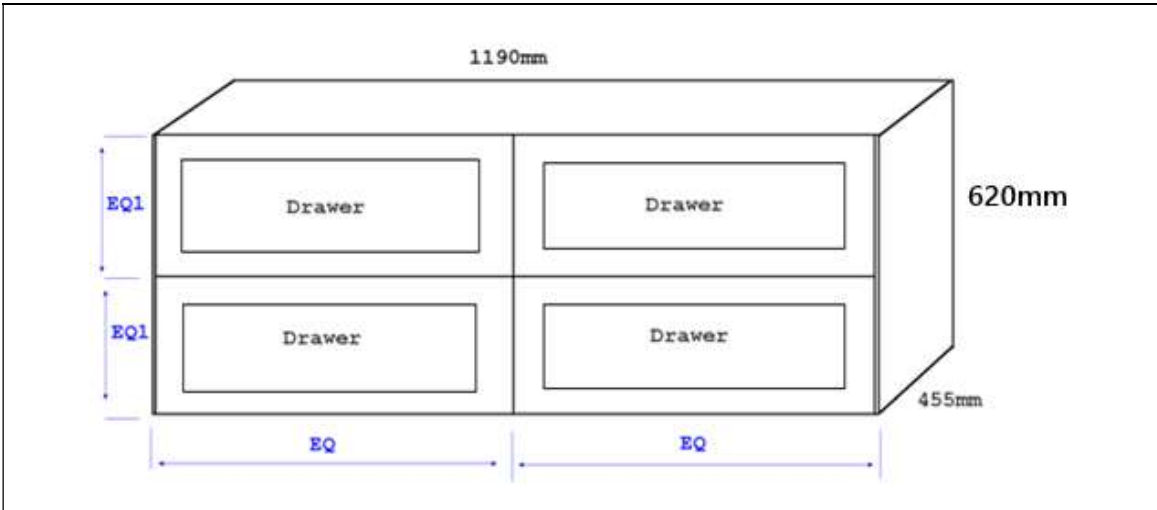
900mm



1000mm

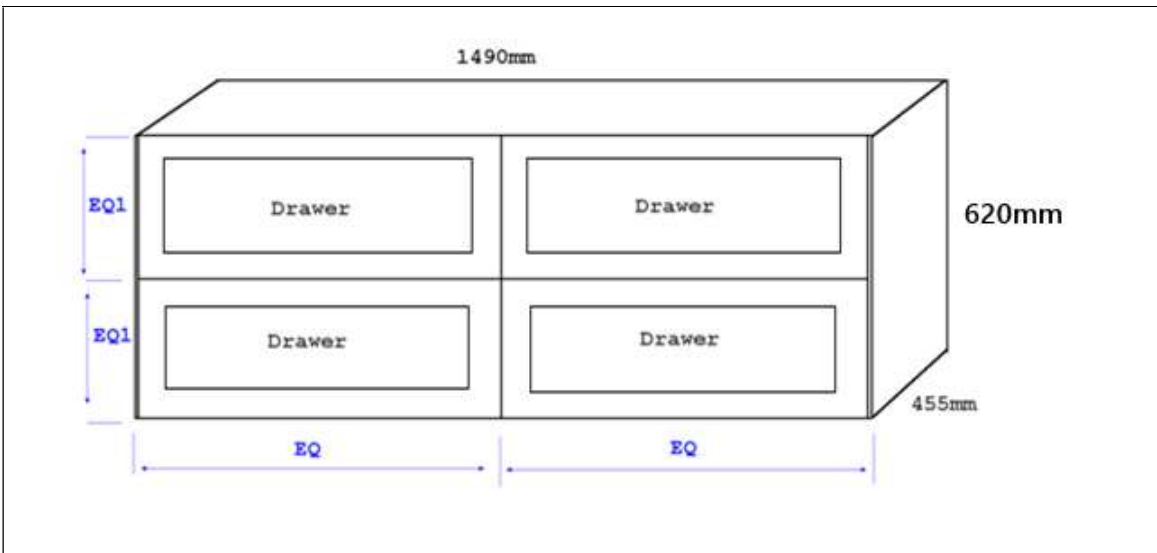


1200mm



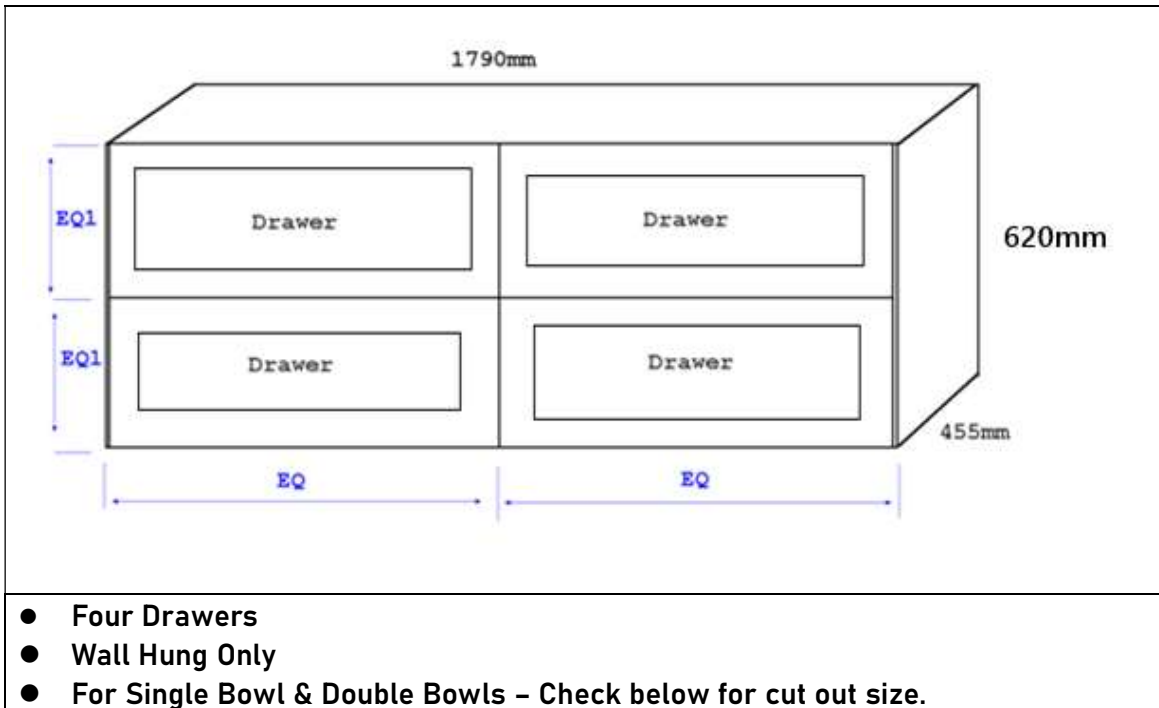
- Four Drawers
- Wall Hung Only
- For Single Bowl & Double Bowls (Not available in Stone and under mount basin double bowls) - Check below for cut out size.

1500mm



- Four Drawers
- Wall Hung Only
- For Single Bowl & Double Bowls - Check below for cut out size.

1800mm



Drawer cut out size → Next Page

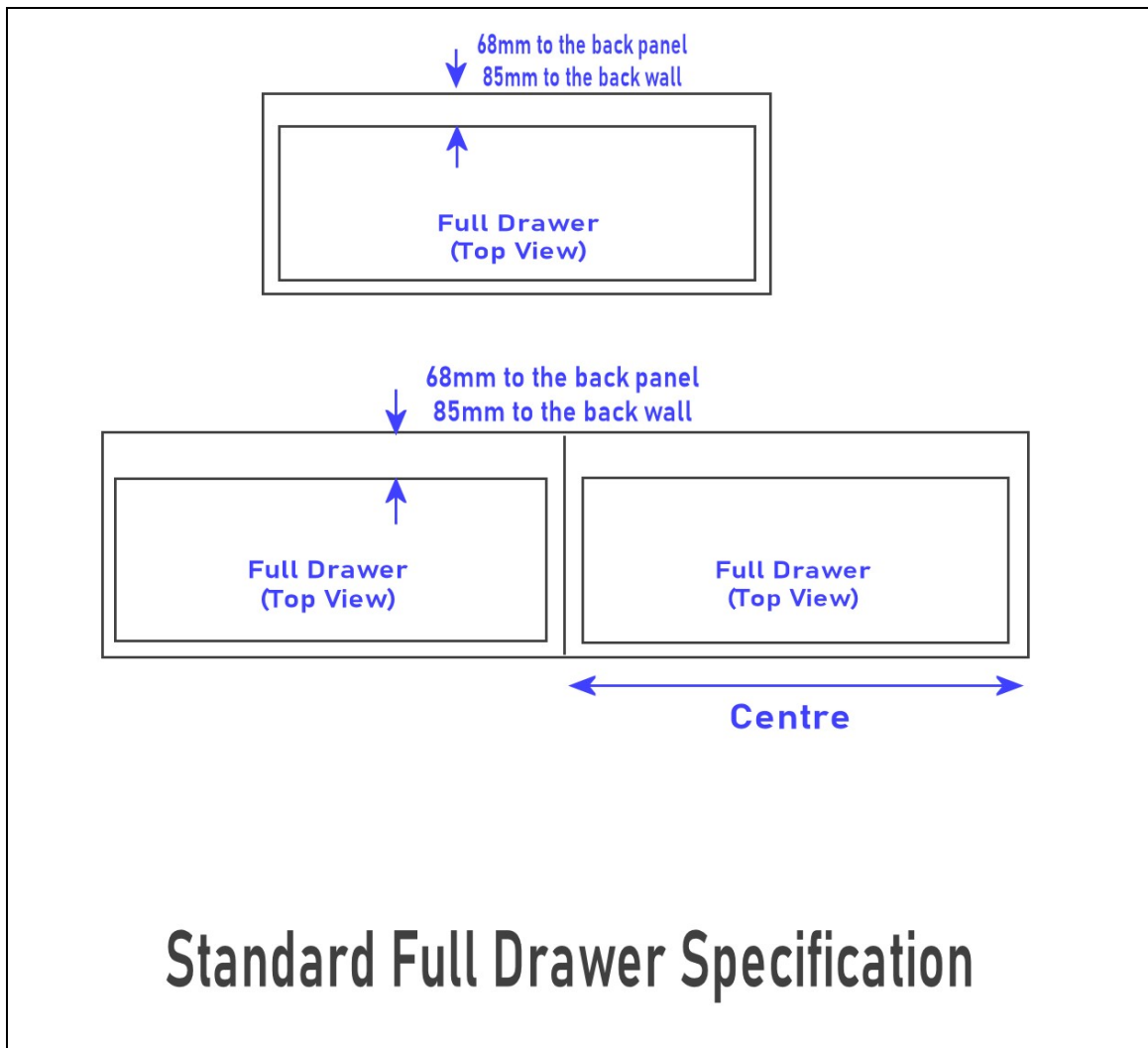
Drawer cut out size

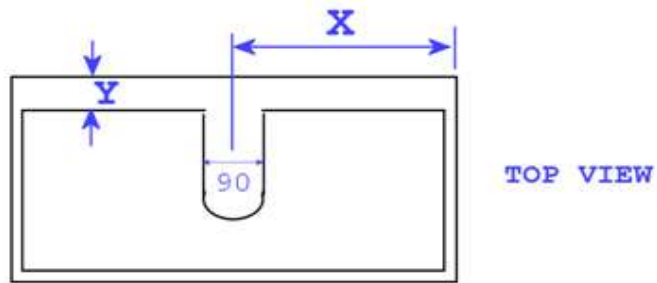
Two Options

1. Full Drawer - Plumbing behind the drawer. Space saver box trap is recommended.



2. U-Cutout Drawer - Plumbing go through the U-Cut of the Drawer

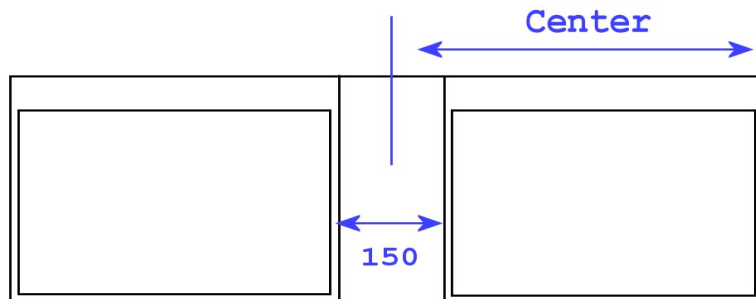




Y: 68mm to the back panel | 85mm to the wall

| Cabinet Size | X |
|---------------|-------|
| 600mm Single | 300mm |
| 750mm Single | 375mm |
| 810mm Single | 405mm |
| 900mm Single | 450mm |
| 1000mm Single | 500mm |

Standard U-CUTOUT Layout for Center Single Bowl Vanity with Two Drawers



Top View

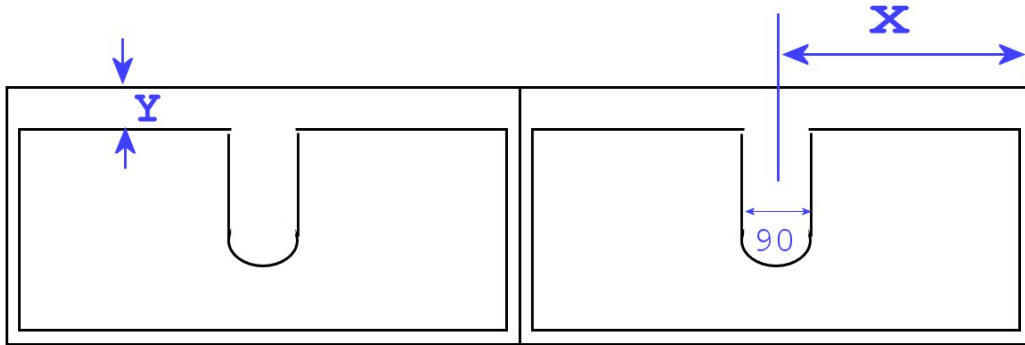
1200mm Single Bowl

1500mm Single Bowl

1800mm Single Bowl

Standard U-CUTOUT Layout for Center Single Bowl Vanity with Two

Drawers



Top View

Y: 68mm to Back Panel / 85mm to Wall

| Size | X |
|------------------------|-------|
| 1200mm Double Standard | 300mm |
| 1500mm Double Standard | 410mm |
| 1500mm Double Reversed | 370mm |
| 1800mm Double Standard | 515mm |
| 1800mm Double Reversed | 415mm |

Standard U-CUTOUT Layout for Double Bowls Vanity with Four Drawers

*1200mm Double Bowls Only available in Aries Ceramic & Stone Bench with Counter Top Basin.